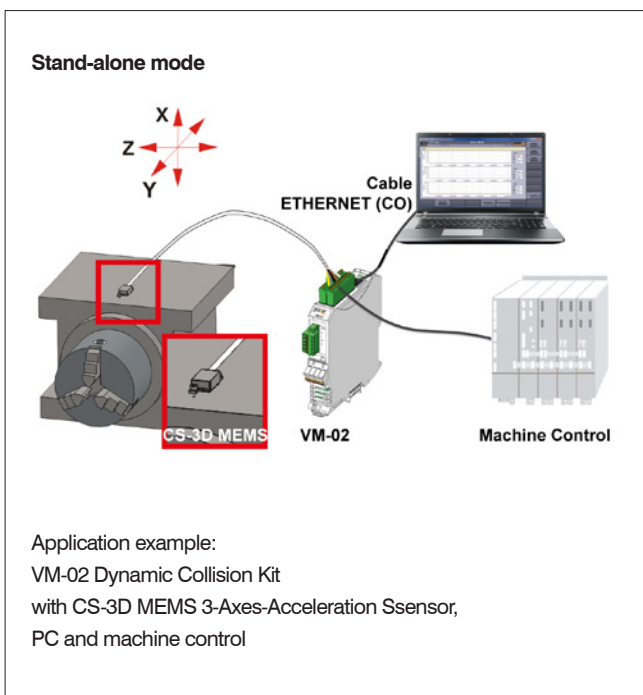




## DYNAMIC COLLISION KIT



### Benefit

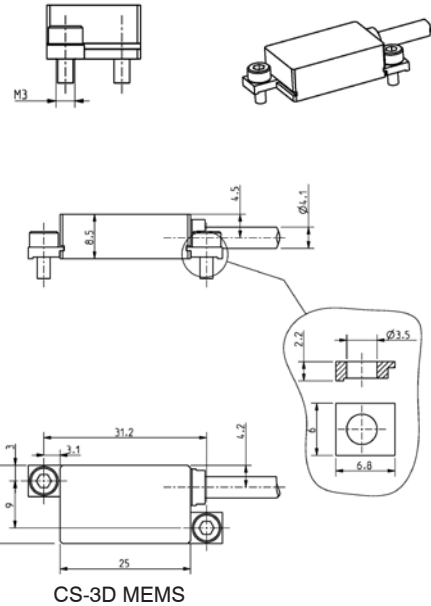
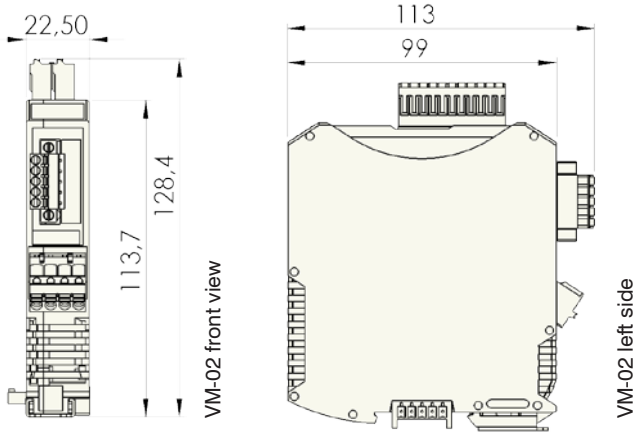
- Reduction of machine damages caused by collision
- Reduction of machine down-times

### Special Features

- Acceleration monitoring with different limits
- Measurement of acceleration in 3 axes
- Various modes for monitoring different machine conditions
- Fast alarm messages < 1 ms
- Identification of collision events
- Documentation in the collision recorder
- Extra function if used with the the Genior Modular system: monitoring of acceleration and vibration speed signals e.g. for tool or machine condition monitoring

# Dynamic Collision Kit

## VM-02 – CS-3D MEMS



	Dynamic Collision Kit <b>OP1QMT12145</b> includes the following components:
Code: <b>O830Z710104</b>	VM-02 Measuring Transducer for Vibration and Acceleration Sensors incl. Collision Monitoring
Code: <b>OCMZ0140084</b>	VM-02 Visu, Software as of version 38.8.4
Code: <b>O3PZ0110009</b>	CS-3D MEMS 3-Axes Acceleration Sensor
Code: <b>ODNF422DE09</b>	Documentation

	VM-02	CS-3D MEMS
Dimension	see drawing	25 x 15 x 8.5
Installation	on DIN EN 60715 mounting rail	Mountin clips, adhesive joint
Weight	0.392 kg	0.234 kg (10 m cable incl.)
Material	PolyamidePA6.6	AISI 303
Flammability class	VO (UL94)	
Storage temperature	-20 °C...+60 °C	
Operation temperature	0 °C...+50 °C	0 °C...+60 °C
Voltage supply	24 V DC ±20 % max. 5 % ripple (via in-rail bus connector)	via VM-02
Rel. humidity	5 – 85 % without condensation	
Degree of protection	IP20	IP67
Conformity	CE	

	VM-02
Nom. current consumption	max. 250 mA
Interfaces	<ul style="list-style-type: none"> <li>ARTIS CAN-Bus</li> <li>10/100 Base T Ethernet</li> </ul>
Input signals	3 input signals
Output signals	4 output signals
Resolution	16 bit
Measuring inputs	3 x IEPE for acceleration sensors
Accuracy	< 0.5 %
Frequency range	10 Hz...5.6 kHz
Sampling rate	25 kHz

	CS-3D MEMS
Sensitivity/axis	100 mV/g, (10.2 mV/m/s <sup>2</sup> )
Tolerance	±10 %
Measuring range/axis	18 g
Frequency range	(±3 dB) 0,5 Hz – 2.5kHz
Resonance frequency	5.5 kHz
Output impedance	typ. 80 Ohm – max. 140 Ohm



www.marposs.com

For a full list of address locations, please consult the Marposs official website

ODN6AE0EN21 – Edition 04/2017 – Specifications are subject to modifications  
© Copyright 2017 ARTIS GmbH (Germany) – All rights reserved.

ARTIS and ARTIS product names/signs mentioned or shown herein are registered trademarks or trademarks of ARTIS in the United States and other countries. The rights, if any, of third parties on trademarks or registered trademarks mentioned in the present publication are acknowledged to the respective owners.

ARTIS has a quality management system, attested by ISO 9001:2008 certification.



Download latest version of this document