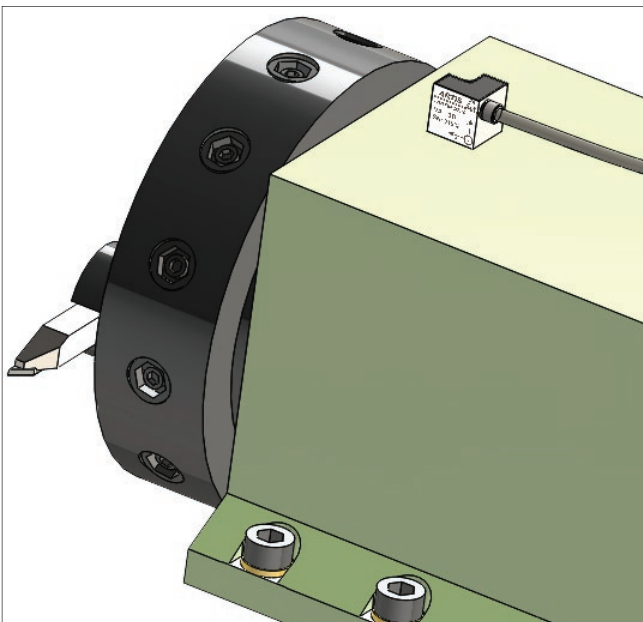




## 3-AXES ACCELERATION SENSOR

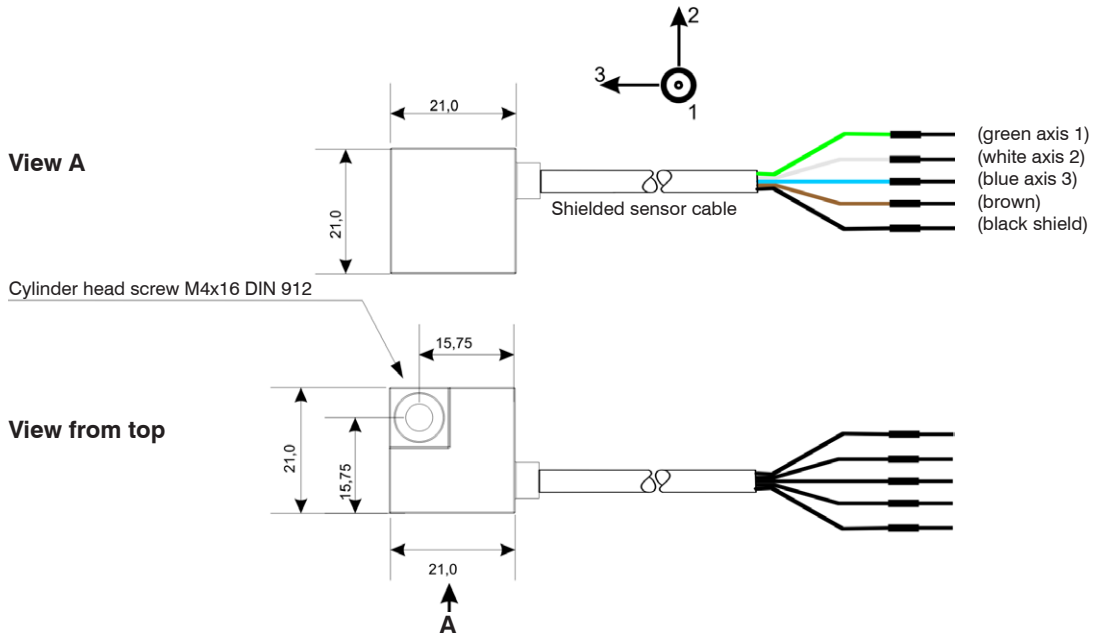


### *Special Features*

- Acceleration sensor for detecting vibrations
- 3 axes acceleration measurement (up to 50 g per axis)
- Useable with all ARTIS monitoring systems
- Easy mounting thanks to its compact dimensions
- ICP® interface

# 3-axes acceleration sensor

VA-3D



|                       |  |
|-----------------------|--|
|                       | <b>O3PZ0111011</b>   |
| Dimensions            | see drawing  |
| Weight                | 25 g (sensor only)   |
| Material              | Chromium-nickel steel cast   |
| Operating temperature | 0 °C – +70 °C  |
| Degree of protection  | IP66/IPx7<br>resistant to cooling lubricants                           |
| Contacting            | Screw connection M4  |
| Cable                 | PU cable   |
| Cable length          | 10 m   |
| Voltage supply        | according to ICP® (ICP® ist a registered trademark of PCB Group, Inc.) |
| Sensitivity per axis  | 100 mV/g, (10.2 mV/m/s <sup>2</sup> )                                  |
| Tolerance             | ±20 %  |
| Max. acceleration     | 5000 g (peak)  |

|                          |   |
|--------------------------|---|
| Measuring range per axis | ±50 g                                     |
| Frequency range          | (±3 dB) 0.3 Hz – 2 kHz<br>0.3 Hz – 15 kHz |
| Resonance frequency      | > 20 kHz                                  |
| Output impedance         | < 100 Ohm                                 |
| Open circuit voltage     | 8 – 12 V DC                               |
| Conformity               | CE  |
| <b>PU cable</b>          |   |
| Diameter                 | 3.4 mm                                    |
| Conductor size           | 0.09 mm <sup>2</sup>                      |
| Bending radius           | 7.5 x wire diameter                       |
| Wire configuration       | Conductor, fine wired<br>acc. to VDE 0295 |

For a full list of address locations, please consult the Marposs official website

ODN6396EN01 – Edition 07/2017 – Specifications are subject to modifications  
© Copyright 2017 ARTIS GmbH (Germany) – All rights reserved.

ARTIS and ARTIS product names/signs mentioned or shown herein are registered trademarks or trademarks of ARTIS in the United States and other countries. The rights, if any, of third parties on trademarks or registered trademarks mentioned in the present publication are acknowledged to the respective owners.

ARTIS has a quality management system, attested by ISO 9001:2008 certification.



www.marposs.com



Download latest version  
of this document