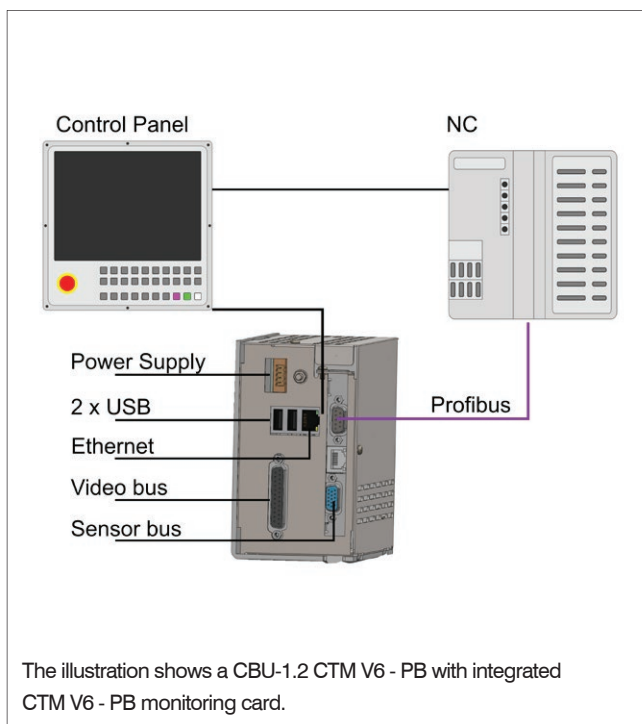


Special Features

- WIN 7 operating system embedded
- Integrated VNC server
- Interfaces: 2 x USB, 1 x Ethernet
- 8 GB Compact flash memory card



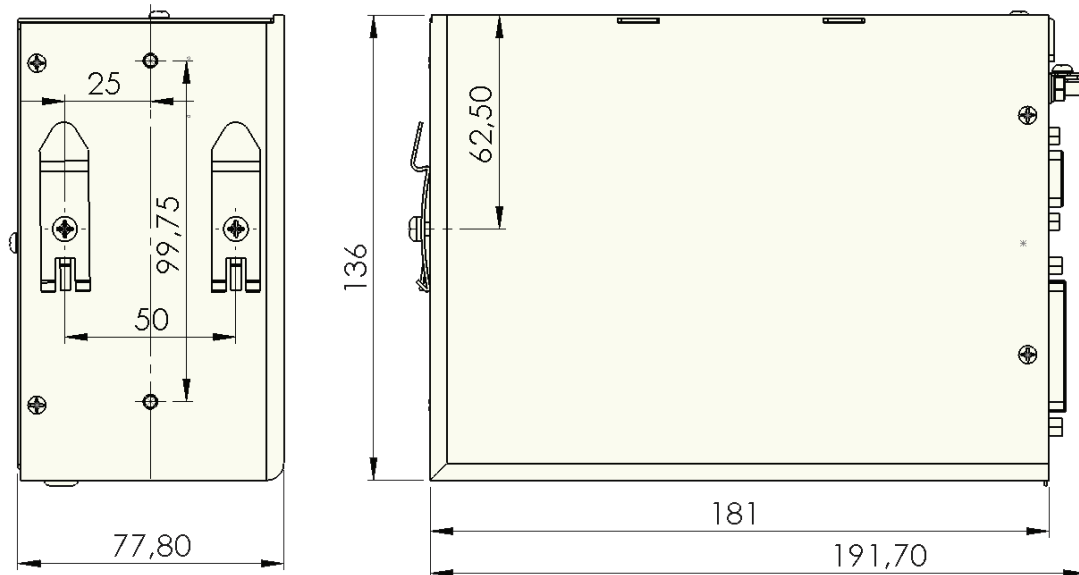
COMPUTER UNIT FOR CTM MONITORING CARDS



CBU-1.2 Code O613400022	Computer unit; designed for integration of one CTM monitoring-card (CTM card not included)
CBU-1.2 CTM V6 - BASIC Code O830Z410014	Computer unit including one CTM V6 BASIC monitoring card. CTM V6 BASIC is a complete monitoring system with an alternative interface option (parallel wiring instead of field bus)
CBU-1.2 CTM V6 - PB Code O830Z410013	Computer unit including one CTM V6 PB monitoring card with PROFIBUS interface
CBU-1.2 CTM V6 - PN Code O830Z410017	Computer unit including one CTM V6 PN monitoring card with PROFINET interface
CBU-1.2 CTM V6 - FOCAS Code O830Z410019	Computer unit including one CTM V6 FOCAS monitoring card with FOCAS interface

Computer unit for CTM monitoring cards

CBU-1.2



	Valid for all items
Dimensions	see drawing
Weight	approx. 1.5 kg
Material	Zinc plated sheet steel/aluminum
Storage temperature	-20 °C... +60 °C
Operating temperature	0 C...+55 °C
Voltage supply	24 V ±15 % (18 – 32 V DC)
Current consumption	max. 2 A
Vibration	Permissible up to 1 g at 17 – 500 Hz
Rel. humidity	5 – 85 % without condensation
Degree of protection	IP20
Mounting	Mounting rail acc. to DIN EN 60715
Optional accessory TPU Control panel	TPU-6.1: 6.5" color touch screen TPU-10.1: 10.4" color touch screen
Optional accessory EL-TPU Housing	EL-TPU-6: Housing for TPU-6.1 EL-TPU-10: Housing for TPU-10.1
Optional accessory Cable VGA	Connecting cable CBU/TPU

	Valid for all items
CPU	Intel Atom N270 1.6 GHz with 82945GME chip set
RAM memory	1 GB SDRAM DIMM module
Hard disk	8 GB Compact Flash disk
PCI slot	1 x PCI (up to 160 mm long)
Operating system	Windows 7 embedded
Interfaces	Onboard graphics (videobus external), 1 Ethernet 10/100, 2 x USB 1.1
Guidelines	DIN EN 61000-6-4:2007-09 DIN EN 61000-6-2:2006-03 EN 61000-6-4:2007 EN 61000-6-2:2005 IEC 61000-6-4:2006 IEC 61000-6-2:2005 EN 55022 Class A EN 61326-1
Conformity	CE
Safety regulations	EN 60950-1 EN 60204-1
Incl. in scope of supply	see code numbers on page 1

For a full list of address locations, please consult the Marposs official website

ODN6AE0EN04 – Edition 8/2017 – Specifications are subject to modifications
© Copyright 2017 ARTIS GmbH (Germany) – All rights reserved.

ARTIS and ARTIS product names/signs mentioned or shown herein are registered trademarks or trademarks of ARTIS in the United States and other countries. The rights, if any, of third parties on trademarks or registered trademarks mentioned in the present publication are acknowledged to the respective owners.

ARTIS has a quality management system, attested by ISO 9001 certification.



www.marposs.com



Download latest version of this document