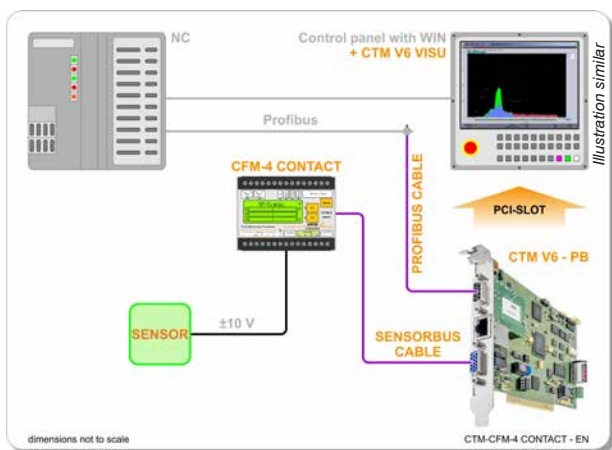


Illustration similar

UNIVERSAL MEASURING TRANSDUCER



Application example:

Together with an ARTIS sensor (with ± 10 V voltage interface), the universal measuring transducer CFM-4 Contact may be operated in stand-alone mode or with the CTM Tool and Process Monitoring System. The following list of sensors serves as an example of compatible items: FLS flow sensors, pressure sensors, temperature sensors or any other sensor, which meets the requirements.

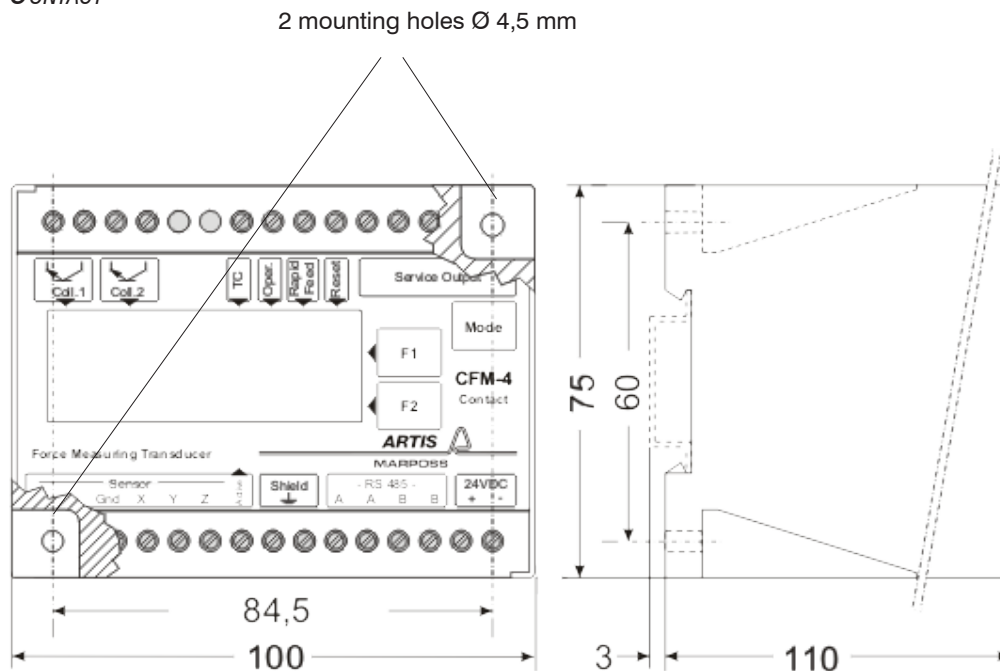
Special Features

- For ARTIS sensors with ± 10 V voltage interface
- Digital setting of amplification
- Graphic display for operation and sensor setting

In stand-alone mode monitoring is set directly via the graphics-capable display and three membrane keys.

Universal Measuring Transducer

CFM-4 CONTACT



	CFM-4 Contact O830Z811201
Dimensions	see drawing
Weight	395 g
Material	Makrolon
Degree of protection	IP20
Contacting	Screw terminals
Operating temperature	0 – 50 °C
Rel. humidity	5 – 85 without condensation
Mounting	<ul style="list-style-type: none"> Standard mounting rail acc. to DIN EN 60715 Screw connection
Voltage supply	24 V DC (18 – 36 V), stabilized, max. 5 % ripple
Nom. current consumption	max. 250 mA
Programmable analog gain	adjustable in 12 steps: 1, 2, 4, 8, 10, 20, 40, 80, 100, 200, 400, 800 1 – 80 External Mode (external setting) 1 – 8 Standard Mode (internal setting)
Interface	ARTIS sensor bus ASB (RS485)
Measuring inputs	±10 V
Frequency range	0 – 1000 Hz

		Standard Mode	External Mode
Control inputs	Tool Change		24 V DC gain 4
	Operate	24 V DC	24 V DC gain 1
	Rapid Feed		24 V DC gain 2
	Reset	24 V DC	
		low 0 – 5 V DC, high 14 – 28 V DC	
Switching outputs	Coll.1 (Out1)	collision alarm, open Coll.-output, 18 – 36 V, up to max. 150 mW	
	Coll. 2 (Out2)	material contact, open Coll.- output, 18 – 36 V, up to max. 150 mW	
Operation	within CTM system	via operation panel of the NC control using the ARTIS CTM menu	
	as stand-alone device	using 3 membrane keys and the illuminated, graphics capable LCD display	
Conformity	CE		

For a full list of address locations, please consult the Marposs official website

ODN6420EN05 – Edition 11/2017 – Specifications are subject to modifications
 © Copyright 2017 MARPOSS Monitoring Solutions GmbH (Germany) – All rights reserved.

ARTIS and Marposs product names/signs mentioned or shown herein are registered trademarks or trademarks of Marposs in the United States and other countries. The rights, if any, of third parties on trademarks or registered trademarks mentioned in the present publication are acknowledged to the respective owners.

Marposs has an integrated system to manage the Company quality, the environment and safety, attested by ISO 9001, ISO 14001 and OHSAS 18001 certifications. Marposs has further been qualified EAQF 94 and has obtained the Q1 Award.



www.marposs.com



Download the latest version of this document