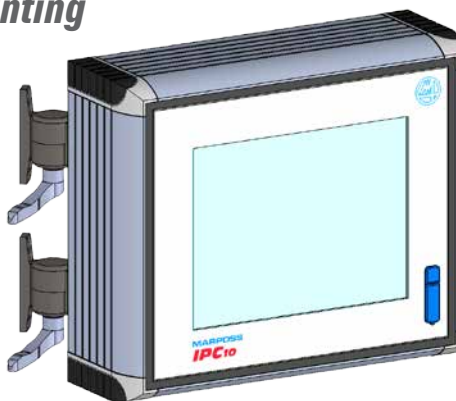


## EL-IPC-10 ENCLOSURE FOR IPC10

### Special Features

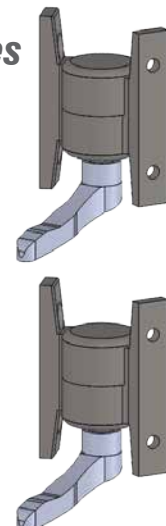
- Enclosure with screwable back panel for IPC10 control panels
- Aluminum, high thermal conductivity for optimal passive thermal dissipation
- Degree of protection IP65
- Low weight at high stability
- Mounting accessories and fastening material included
- Customizable cable outlet

### Mounting



Mounting example: Vertical mounting with connector

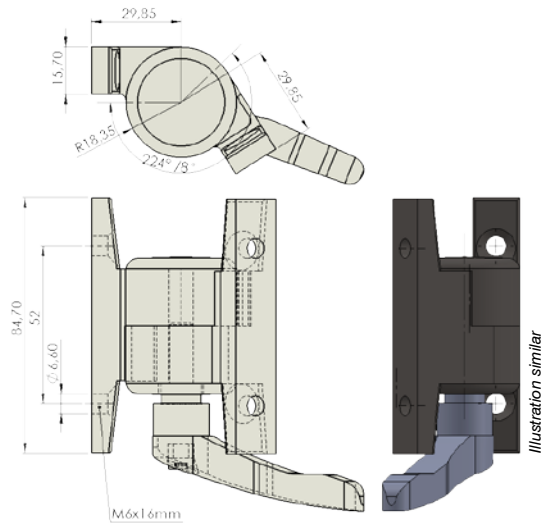
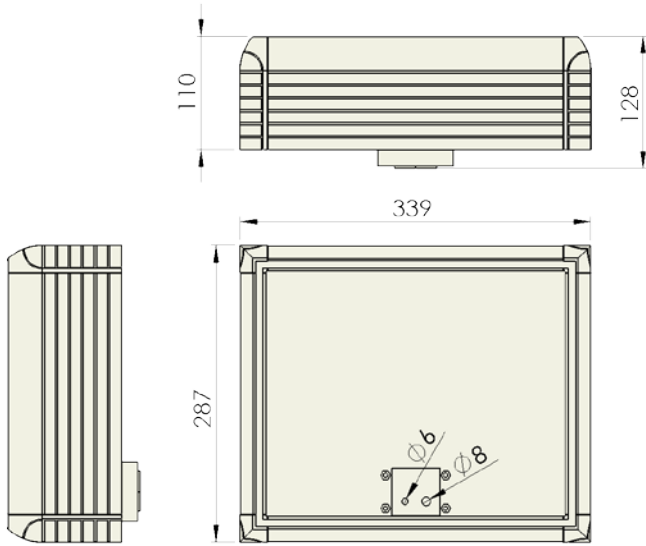
### Mounting accessories

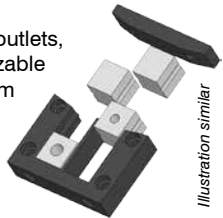


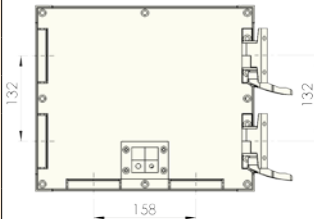
2 Connectors for application between operator enclosure and horizontal or vertical surfaces

# Enclosure

## EL-IPC-10 FOR IPC10



EL-IPC-10 O613400028	
Dimensions	see drawing
Intended purpose	Enclosure for: <ul style="list-style-type: none"> <li>• IPC10</li> </ul>
Weight	approx. 3,8 kg (connectors incl.)
Material	Enclosure: Aluminum profile Corner pieces: Zinc die-cast Corner protectors: Plastic
Color	Enclosure: Aluminum, anodized Corner pieces: RAL 7035 Corner protectors: similar to RAL 7024
Degree of protection	IP65
Fastening	M6 x 16
Cable outlet	4 cable outlets, customizable 6 - 12 mm 
Installation depth	100 mm

Connectors	Application between operator enclosure and horizontal or vertical surfaces
Material	Zinc die-cast
Surface	Powder-coated
Color	RAL 7024
Scope of delivery	Fastening material and clamp lever for both sides included
Swing range/swing angle	Swing range 224°, angular adjustment in steps of 8°
Weight (2 connectors)	0.64 kg
Drilling distance	
Scope of delivery	<ul style="list-style-type: none"> <li>• Enclosure for screwable back panel, sealing incl.</li> <li>• 2 connectors</li> <li>• Installation material</li> <li>• Cable feed-through</li> </ul>
Conformity	CE



www.marposs.com

For a full list of address locations, please consult the Marposs official website

ODN6406EN01 – Edition 11/2017 – Specifications are subject to modifications  
 © Copyright 2017 MARPOSS Monitoring Solutions GmbH (Germany) – All rights reserved.

ARTIS and Marposs product names/signs mentioned or shown herein are registered trademarks or trademarks of Marposs in the United States and other countries. The rights, if any, of third parties on trademarks or registered trademarks mentioned in the present publication are acknowledged to the respective owners.

Marposs has an integrated system to manage the Company quality, the environment and safety, attested by ISO 9001, ISO 14001 and OHSAS 18001 certifications. Marposs has further been qualified EAQF 94 and has obtained the Q1 Award.



Download the latest version of this document