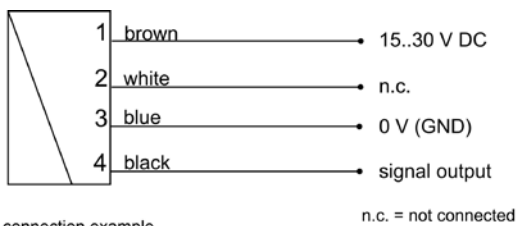




Illustration similar

FLOW SENSOR

Electrical connection diagram



connection example



Special Features

- Maximum pressure 400 bar
- To be used for break-monitoring of internally cooled tools
- Different variants available: 2/4/8/16/60 l/min
- Degree of protection IP67
- Compact design, simple installation

Flow sensors of the FLS-X-400 series suit rough industrial conditions and are employed in combination with all ARTIS tool and process monitoring systems.

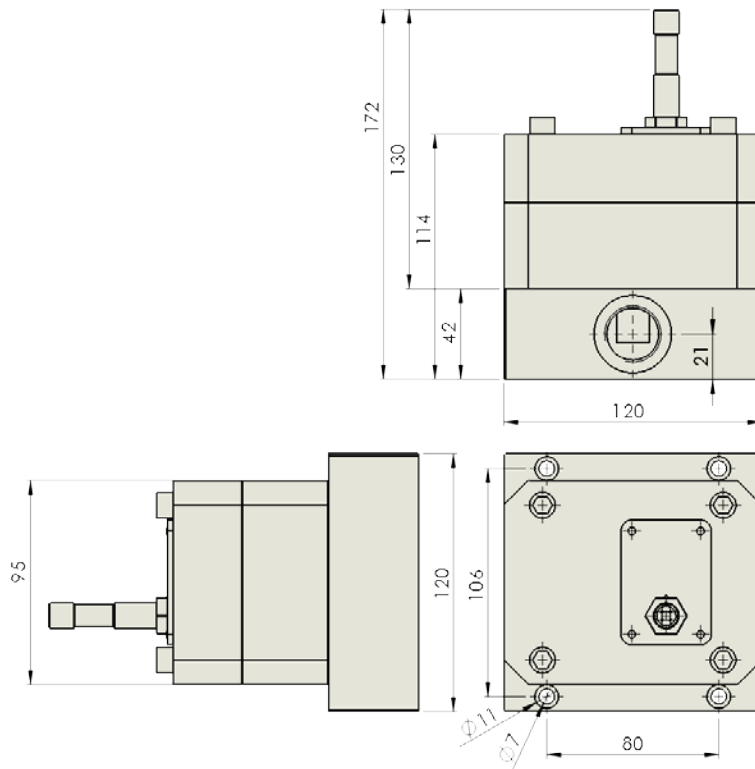


Important notice for the use of flow sensors!

Dirt particles must not get into the flow chamber, as this might cause the blockage of the gearwheels. It may therefore be necessary to install filters upstream of the sensor (mesh size < 30 μm).

Flow sensor

FLS-X-400



	O3PZ12110XX (X = see variants)
Variants	
FLS-2-400	O3PZ1211010
FLS-4-400	O3PZ1211009
FLS-8-400	O3PZ1211008
FLS-16-400	O3PZ1211007
FLS-60-400	O3PZ1211006
Dimensions (sensor)	see drawing
Dimensions (conn. plate)	see drawing
Material	cast iron with nodular graphite
Weight	5.2 kg sensor 4.0 kg connection plate
Threaded connection	
FLS-2/4/8/16-400	G 3/8"
FLS-60-400	G 3/4"
Pressure (maximum)	400 bar
Degree of protection	IP67, resistant to cooling lubricants
Operating temperature	-25 °C..+ 70 °C

Measuring range	
FLS-2-400	0.008 – 2 l/min
FLS-4-400	0.02 – 4 l/min
FLS-8-400	0.04 – 8 l/min
FLS-16-400	0.16 – 16 l/min
FLS-60-400	0.3 – 60 l/min
Electrical connection	round connector M12 x 1, 4 poles, 10 m connecting cable (connector included)
Supply voltage	15 – 30 V
Voltage output	0 – 10 V
Charging rate	< 20 mA (without load)
Accuracy	3 % of measured value (at 20 mm ² /s)
Repeatability	± 0.3 %
Usability	Viscous fluids, self-lubricating media (technical soaps, pastes and non abrasive emulsions)
Filter range	< 30 µm
Conformity	CE



www.marposs.com

For a full list of address locations, please consult the Marposs official website

ODN6406EN06 – Edition 12/2017 – Specifications are subject to modifications
© Copyright 2017 MARPOSS Monitoring Solutions GmbH (Germany) – All rights reserved.

ARTIS and Marposs product names/signs mentioned or shown herein are registered trademarks or trademarks of Marposs in the United States and other countries. The rights, if any, of third parties on trademarks or registered trademarks mentioned in the present publication are acknowledged to the respective owners.

Marposs has an integrated system to manage the Company quality, the environment and safety, attested by ISO 9001, ISO 14001 and OHSAS 18001 certifications. Marposs has further been qualified EAQF 94 and has obtained the Q1 Award.



Download the latest version of this document