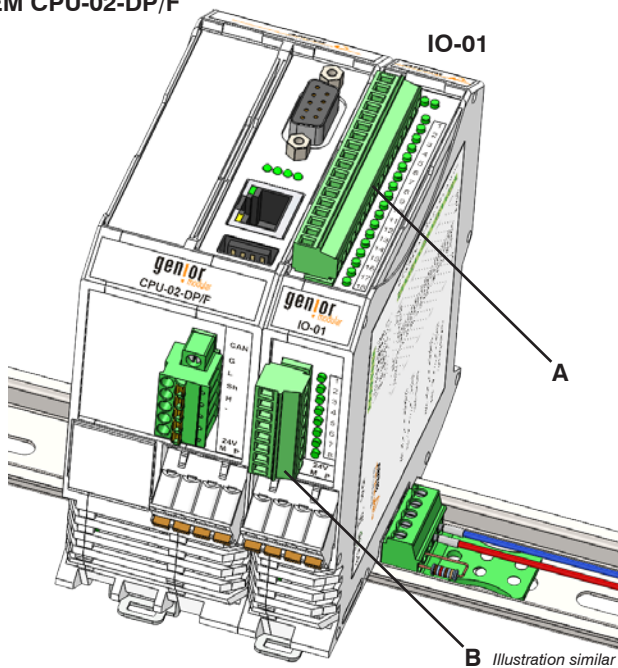




Illustration similar

## INPUT-/OUTPUT CONVERTER

GEM CPU-02-DP/F



B Illustration similar

### Special Features

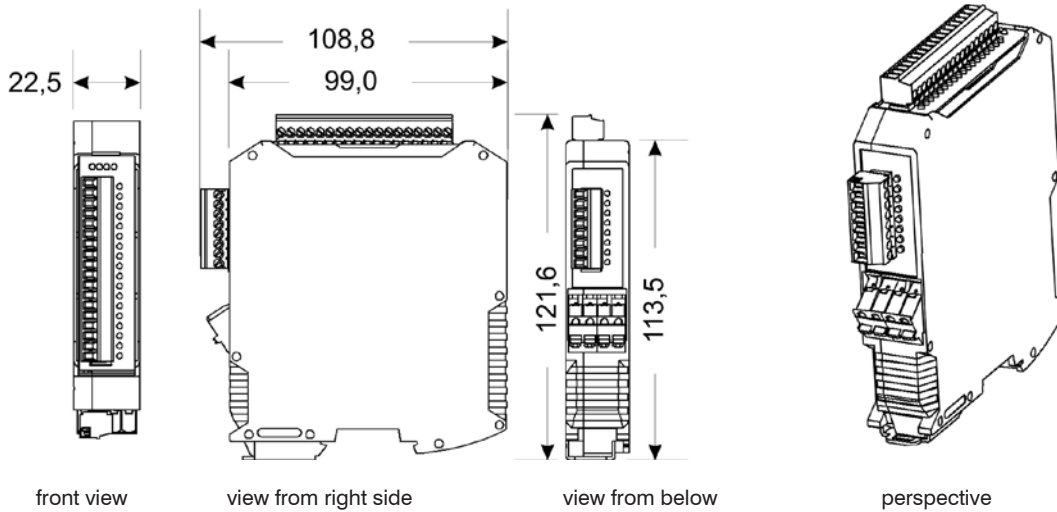
- Component of the Genior Modular Tool and Process Monitoring System
- Realization of the PLC-interface with 24 V signals if no field bus system is available
- 16 input signals
- 8 output signals
- Configuration flexible
- Operable in sink- or source mode

Left hand fig.:

A = 16 inputs  
B = 8 outputs

# Input-/Output Converter

IO-01



<b>O830Z910303</b>		
Dimensions	see drawing	
Installation	Mounting rail according to DIN EN 60715	
Weight	0.139 kg	
Material	Polyamide PA6.6	
Flammability class	VO (UL94)	
Storage temperature	-20 °C... +60 °C	
Operating temperature	0 °C... +50 °C	
Rel. humidity	5 ...85% without condensation	
Degree of protection	IP20	
Contacting	Screw terminals, spring cage terminals	
Voltage supply	24 V ±20 % max. 5 % ripple (via in-rail bus connector)	
Input signals	16 input signals	
Output signals	8 output signals	
Inputs	Source:	Sink:
1-signal	8 V – 36 V / 5 mA	0 V – 19 V / 5 mA
0-signal	0 V – 7 V / 5 mA	20 V – 36 V / 5 mA
Outputs	Source:	Sink:
1-signal	24 V typical max. 100 mA	0 V – 1 V
0-signal	open	open
Conformity	CE	



[www.marposs.com](http://www.marposs.com)

For a full list of address locations, please consult the Marposs official website

ODN6422EN07 – Edition 12/2017 – Specifications are subject to modifications  
© Copyright 2017 MARPOSS Monitoring Solutions GmbH (Germany) – All rights reserved.

ARTIS and Marposs product names/signs mentioned or shown herein are registered trademarks or trademarks of Marposs in the United States and other countries. The rights, if any, of third parties on trademarks or registered trademarks mentioned in the present publication are acknowledged to the respective owners.

Marposs has an integrated system to manage the Company quality, the environment and safety, attested by ISO 9001, ISO 14001 and OHSAS 18001 certifications. Marposs has further been qualified EAQF 94 and has obtained the Q1 Award.



Download the latest version of this document