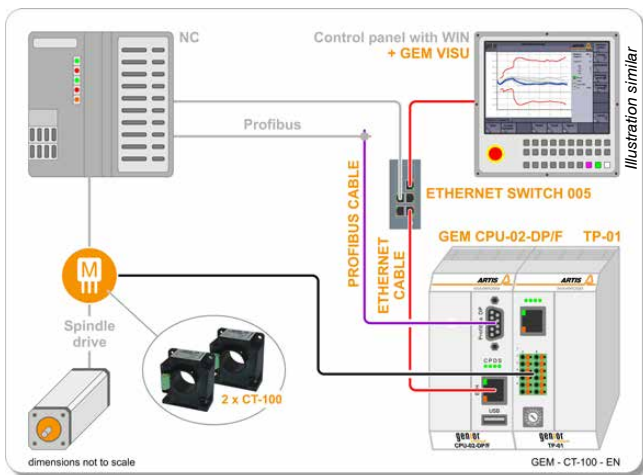




Illustration similar

## HALL SENSOR



Application example:  
**CT-100** und TP-01 with the GENIOR MODULAR Tool and Process Monitoring System

The sensor is designed for currents up to 100 A. In case of considerably lower maximum current values, the cable is looped through the hole in the middle of the sensor several times. This results in an increase of the current maximum value (see fig. on the right side)

- ### Special Features
- Excellent measuring accuracy
  - Very good linearity
  - Little temperature drift
  - No supplementary load loss
  - Low susceptibility to failure caused by external magnetic fields
  - Galvanic separation

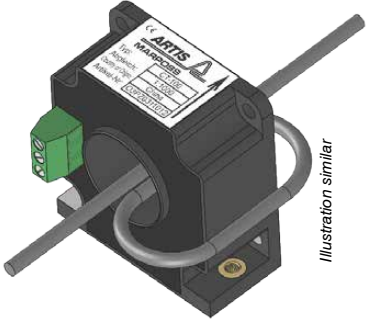
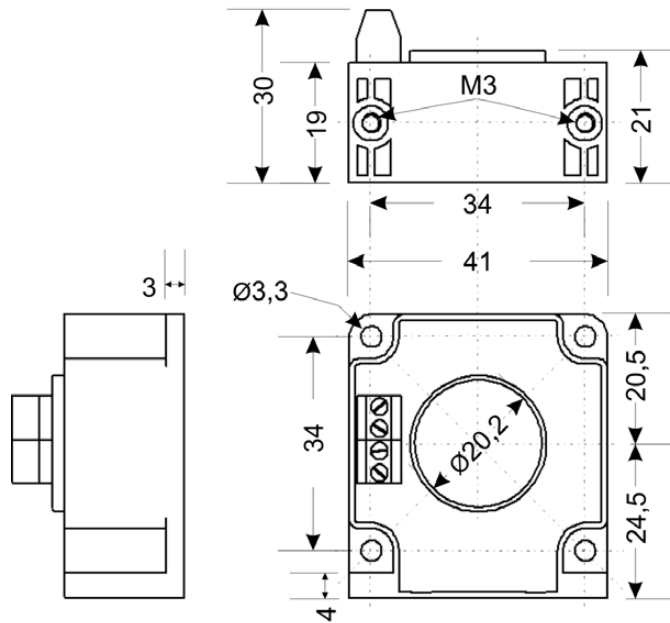


Illustration similar

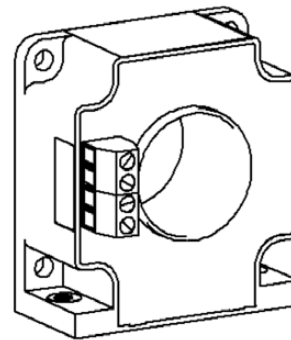
# Hall sensor

CT-100



### Pin and terminal assignment

- + + 12 ~ +18 V DC
- - 12 ~ -18 V DC
- M Output current
- N NC



	<b>O3PZ0311012</b>
Dimensions	see drawing
Weight	0.170 kg
Material	Plastic cast, insulating
Degree of protection	IP20
Flammability class	VO (UL94)
Mounting	Mounting rail according to DIN EN 60715
Storage temperature	-40 °C...+90 °C
Ambient temperature	-10 °C...+85 °C
Voltage supply	±12 V – 15 V
Power consumption	20 mA (±15 V) + IS
Contacting	Terminal connector
Transmission ratio	1:1000
Effective primary nominal current	100 A

Primary current, measuring range	0 – ± 200A
Maximum measurable overload (max. 3 min/h, @VC=±15 V, RM = 5)	400 A
Effective secondary nominal current	100 mA
Frequency range (-3dB)	DC to 100 kHz
Linearity	< 0.1 %
Integration time	< 1μ
Response time	500 ns
Accuracy at +25 °C	± 1 %
Scope of delivery	<ul style="list-style-type: none"> <li>• CT-100</li> <li>• Connecting cable (length: 3 m)</li> </ul>
Conformity	CE

For a full list of address locations, please consult the Marposs official website

ODN6398EN01 – Edition 02/2018 – Specifications are subject to modifications  
© Copyright 2018 MARPOSS Monitoring Solutions GmbH (Germany) – All rights reserved.

ARTIS and Marposs product names/signs mentioned or shown herein are registered trademarks or trademarks of Marposs in the United States and other countries. The rights, if any, of third parties on trademarks or registered trademarks mentioned in the present publication are acknowledged to the respective owners.

Marposs has an integrated system to manage the Company quality, the environment and safety, attested by ISO 9001, ISO 14001 and OHSAS 18001 certifications. Marposs has further been qualified EAQF 94 and has obtained the Q1 Award.



[www.marposs.com](http://www.marposs.com)



Download the latest version of this document