

Illustration similar

## TOOL & PROCESS MONITORING GENIOR MODULAR UNIT FOR TRUE POWER MEASURING

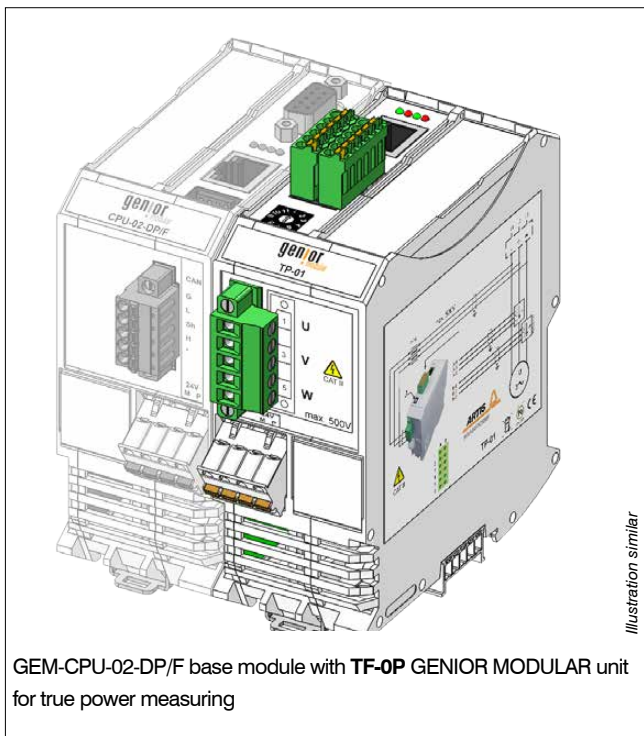


Illustration similar

GEM-CPU-02-DP/F base module with **TF-0P** GENIOR MODULAR unit for true power measuring

### Special Features

- Component of the tool and process monitoring system GENIOR MODULAR
- Sensor system for true power monitoring of drives
- True power measuring independent of controls
- Transmission of measuring values via ARTIS CAN bus
- Simple installation in the electrical cabinet of the machine

### Applications

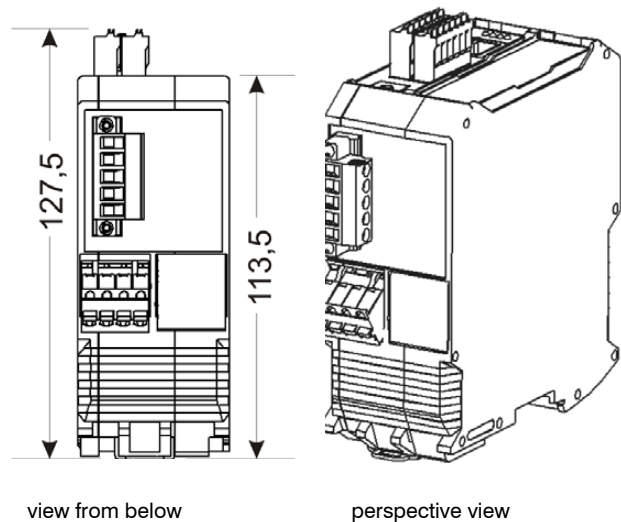
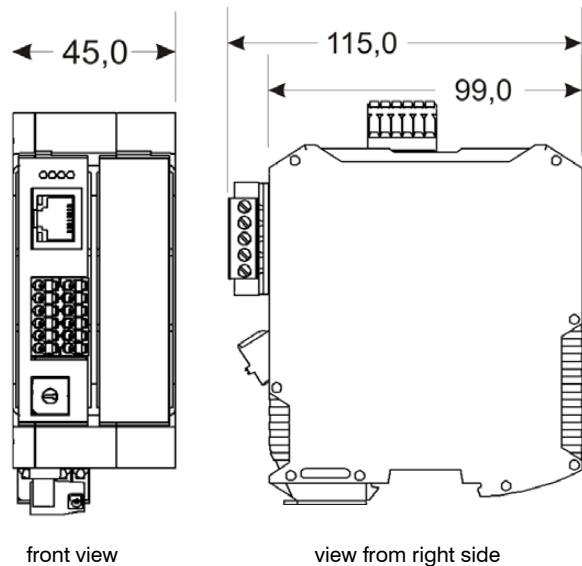
- Load monitoring of regulated and unregulated drives
- Useable as signal transmitter for tool monitoring (e.g. tool breakage, missing tools)

# Tool & Process Monitoring

## GENIOR MODULAR Unit for True Power Measuring

### TP-01

	<b>O830Z910301</b>
Dimensions	see drawing
Weight	135 g
Material	Polyamid PA6.6
Storage temperature	-20 °C...+60 °C
Operating temperature	0 °C...+50 °C
Rel. humidity	5 – 85 % without condensation
Degree of protection	IP20
Contacting	Spring terminal, in-rail bus connector
Mounting	Mounting rail according to DIN EN 60715
Voltage supply	24 V ±20 % via in-rail bus connector
Nominal current consumption	max. 100 mA
Ripple	max. 5 %
Interfaces	ARTIS CAN-Bus
Measuring input	AC - current: 1 – 3 Hall sensors CT-100 or LA205S
	AC - voltage: 3 x 500 VAC (rms) frequency regulated or pulse width modulated
	DC - current: 1 Hall sensor CT-100 (I <sub>max</sub> 100 A) or LA205S (I <sub>max</sub> 200 A)
	DC - voltage: max. 500 V DC
	All inputs galvanically separated.
Resolution	16 bit
Accuracy	< 0,5 %
Conformity	CE



For a full list of address locations, please consult the Marposs official website

ODN6422EN05 – Edition 02/2018 – Specifications are subject to modifications  
© Copyright 2018 MARPOSS Monitoring Solutions GmbH (Germany) – All rights reserved.



[www.marposs.com](http://www.marposs.com)

ARTIS and Marposs product names/signs mentioned or shown herein are registered trademarks or trademarks of Marposs in the United States and other countries. The rights, if any, of third parties on trademarks or registered trademarks mentioned in the present publication are acknowledged to the respective owners.

Marposs has an integrated system to manage the Company quality, the environment and safety, attested by ISO 9001, ISO 14001 and OHSAS 18001 certifications. Marposs has further been qualified EAQF 94 and has obtained the Q1 Award.



Download the latest version of this document