

## EXTENSION KIT FOR SENSORS

### Special Features

- Extension for firmly mounted sensor cables!
- Degree of protection IP67
- Connectors M8-4, M12, M12-5 or M12-8
- Metal shielded
- Good EMC characteristics



Illustration similar

### Specification

	Type	for sensor	for cable
O687K009002	M8	AE-C MICRO, VA-2	O4151000004
O687K009002	M8	VA-3D	O4151000007
O687K009002	M8	CS-3D MEMS	O673AA10042
O687K009001	M12	VA-1, AE-C	O4151000003
O687K009003	M12-5	ACS-SD1.1, AKS-1	O6739797062
O687K009004	M12-8	AKS-33, AKS-3, ADS-31	O4151000003

### Pin assignment

	Pin	VA-x/AE-x	Wire color
M8 or M12	1	Signal+	white
	2	Signal -	brown
	3	n.c.	n.c.
	4	n.c.	n.c.

		VA-3D	Wire color
M8	1	Signal 2+	white
	2	Signal -	brown
	3	Signal 1+	green
	4	Signal 3+	blue

		CS-3D MEMS	Wire color
M8	1	Signal 2+	violet
	2	Signal -	black, white blue
	3	Signal 1+	red
	4	Signal 3+	green

### Pin assignment

	Pin	ADS-31	Wire color
M12-8	1	+15 V	pink
	2	-15 V	gray
	3	Gnd	brown
	4	n.c.	green
	5	n.c.	white
	6	Z	yellow
	7	OP	blue
	8	n.c.	n.c.

		AKS-3	AKS-33	Wire color
M12-8	1	+15 V	+15 V	pink
	2	n.c.	-15 V	gray
	3	Gnd	Gnd	brown
	4	X	X	green
	5	Y	Y	white
	6	Z	Z	yellow
	7	OP	OP	blue
	8	n.c.	n.c.	n.c.

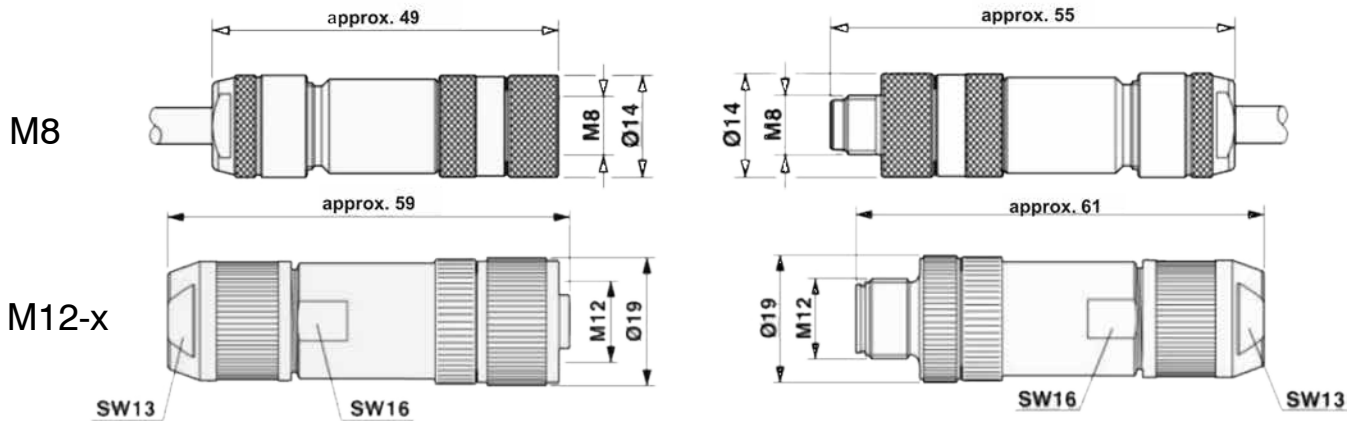
		AKS-1	ACS-SD1.1	Wire color
M12-5	1	+15 V	+8...24 V	white
	2	aktiv	Gnd	brown
	3	n.c.	CAN Gnd	gray
	4	Gnd	CAN L	yellow
	5	Z	CAN H	green

# Extension Kit

FOR SENSOR CABLES

## Socket (extension)

## Connector (sensor side)



	M8	M12	M12-5	M12-8
<b>Scope of supply</b>	The cable extension kit includes the connector, the socket and mounting instructions. The needed PUR sensor cable is to be ordered separately in the required length. The maximum overall length of the sensor cable is 30 m.			
Code	<b>O687K009002</b>	<b>O687K009001</b>	<b>O687K009003</b>	<b>O687K009004</b>
Dimensions	siehe Zeichnung			
Degree of protection	IP67	IP67	IP67	IP 67
Operating temperature	-40 °C..+85 °C	-40 °C..+85 °C	-40 °C..+85 °C	-40 °C..+85 °C
Number of pins	4	4	5	8
Connection	screw connection	spring connection	screw connection	spring connection
Rated current	4 A	4 A	4 A	4 A
Rated voltage	30 V	60 V	60 V	30 V
Contact resistance	< 3 mΩ	< 8 mΩ	< 8 mΩ	< 3 mΩ
Leakage resistance	> 100 MΩ	> 100 MΩ	> 100 MΩ	> 100 MΩ

PU cable	O4151000004/7	O4151000004/7	O673AA10042	O4151000003	O6739797062
Diameter	5 mm	5 mm	4,1 mm	6 mm	6 mm
Conductor size	26 AWG	26 AWG	26 AWG	26 AWG	26 AWG
Bending radius	7.5 x Ø	7.5 x Ø	7.5 x Ø	7.5 x Ø	7.5 x Ø
Wire configuration	conductor, fine wired acc. to VDE0295	conductor, fine wired acc. to VDE0295	conductor, fine wired	conductor, fine wired acc. to VDE0295	conductor, fine wired acc. to VDE0295
Number of conductors	3	4	6	7	5
Pin assignment	<b>see table on page 1</b>				
Conformity	CE				

For a full list of address locations, please consult the Marposs official website

ODN6AM0EN04 – Edition 06/2018 – Specifications are subject to modifications  
© Copyright 2018 MARPOSS Monitoring Solutions GmbH (Germany) – All rights reserved.

ARTIS and Marposs product names/signs mentioned or shown herein are registered trademarks or trademarks of Marposs in the United States and other countries. The rights, if any, of third parties on trademarks or registered trademarks mentioned in the present publication are acknowledged to the respective owners.

Marposs has an integrated system to manage the Company quality, the environment and safety, attested by ISO 9001, ISO 14001 and OHSAS 18001 certifications. Marposs has further been qualified EAQF 94 and has obtained the Q1 Award.



www.marposs.com



Download the latest version of this document