



Illustration similar

Special Features

- Suitable for all ARTIS monitoring systems
- Integrated piezo load amplifier
- High sensitivity
- One-dimensional measuring direction
- Simple mounting
- Sensor cable can be laid easily in the machine
- Resistant PUR-sheet

PIEZOELECTRIC STRAIN SENSOR

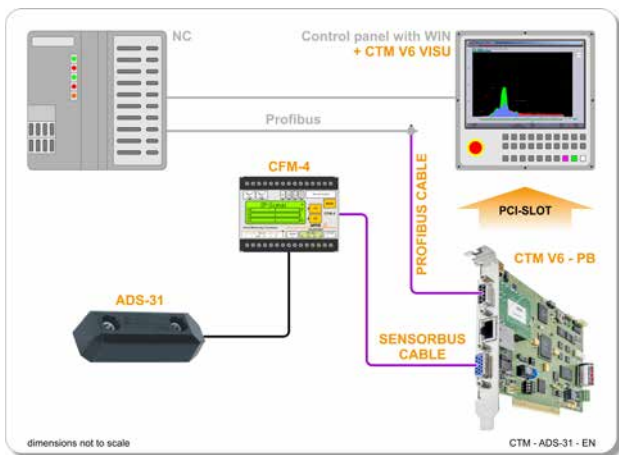


Illustration similar

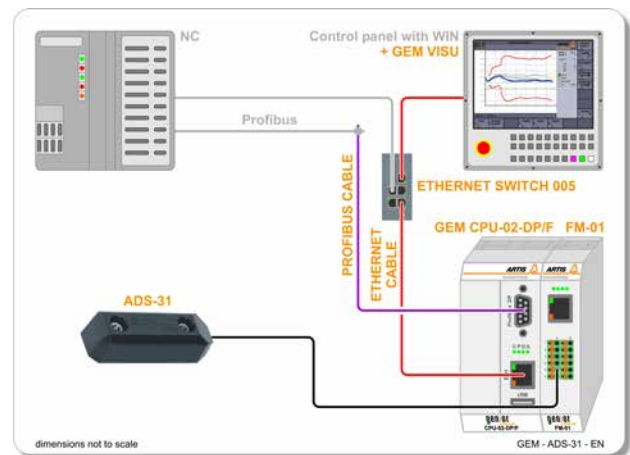


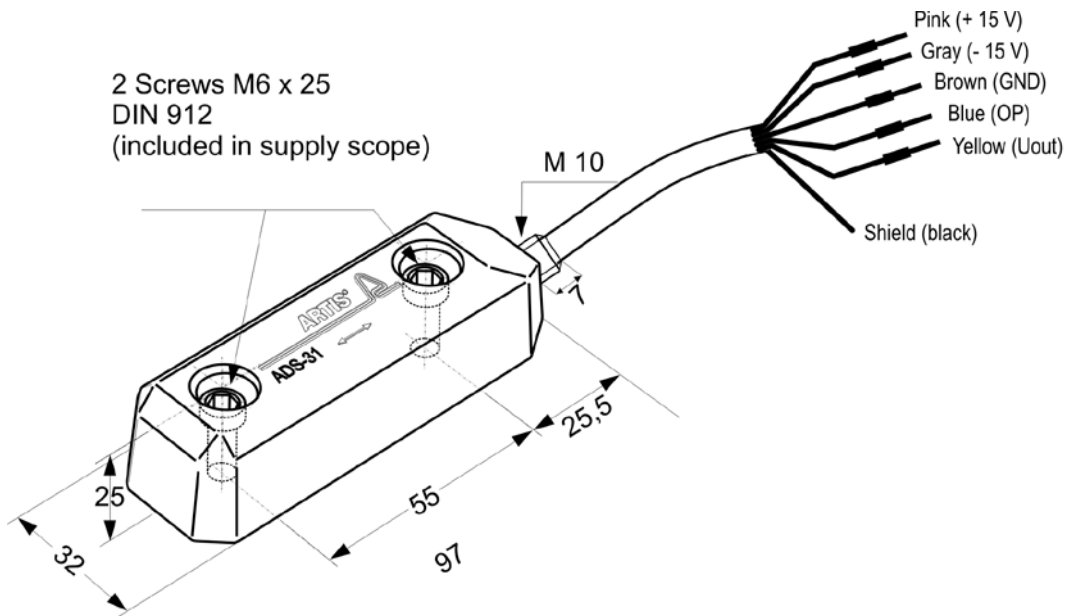
Illustration similar

Application example:
ADS-31 and CFM-4 with the CTM Tool and Process Monitoring System

Application example
ADS-31 and FM-01 with the GENIOR MODULAR Tool and Process Monitoring System

Piezoelectric strain sensor

ADS-31



O3PZ021100x (x – see variant)	
Variants	
ADS-31, 5 m cable	O3PZ0211007
ADS-31, 15 m cable	O3PZ0211008
ADS-31, 25 m cable	O3PZ0211009
Dimensions	see drawing
Weight	
ADS-31, 5 m cable	432 g
ADS-31, 15 m cable	868 g
ADS-31, 25 m cable	1261 g
Material	
Inner part	Chromium nickel steel
Sheet	PUR-sheet, resistant to cooling lubricants
Operating temperature	10 °C – +50 °C
Degree of protection	IP66/IPx7 resistant to cooling lubricants

Cable lengths	see variant
Wire break identification	in the measuring transducer (CFM-4 or FM-01)
Measuring section	55 mm
Voltage supply	-15 V DC / 0 V / +15 V DC
Output signal	± 10 V
Activation	+5 V DC
Conformity	CE

PU cable	
Diameter	6 mm
Conductor size	26 AWG
Bending radius	7.5 x wire diameter
Wire configuration	Conductor, fine wired acc. to VDE 0295

For a full list of address locations, please consult the Marposs official website

ODN6403EN01 – Edition 11/2017 – Specifications are subject to modifications
© Copyright 2017 MARPOSS Monitoring Solutions GmbH (Germany) – All rights reserved.

ARTIS and Marposs product names/signs mentioned or shown herein are registered trademarks or trademarks of Marposs in the United States and other countries. The rights, if any, of third parties on trademarks or registered trademarks mentioned in the present publication are acknowledged to the respective owners.

Marposs has an integrated system to manage the Company quality, the environment and safety, attested by ISO 9001, ISO 14001 and OHSAS 18001 certifications. Marposs has further been qualified EAQF 94 and has obtained the Q1 Award.



www.marposs.com



Download the latest version
of this document