

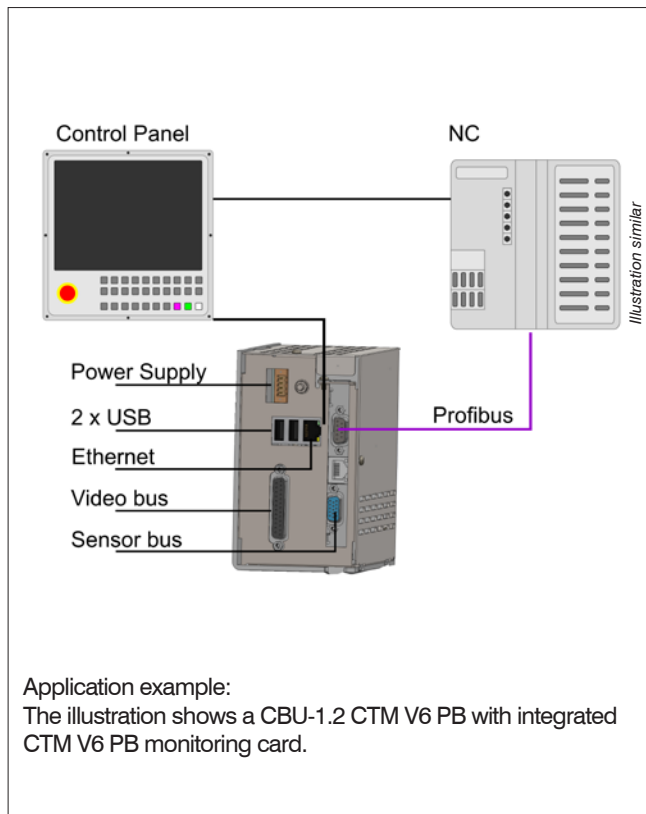
## Special Features

- Integrated CTM technology
- Various interface variants available
- WIN 7 operating system embedded
- Integrated VNC server
- Interfaces: 2 x USB, 1 x Ethernet
- 4 GB Compact flash memory card



Illustration similar

## COMPUTER UNIT WITH INTEGRATED CTM-TECHNOLOGY



## Interface Variants

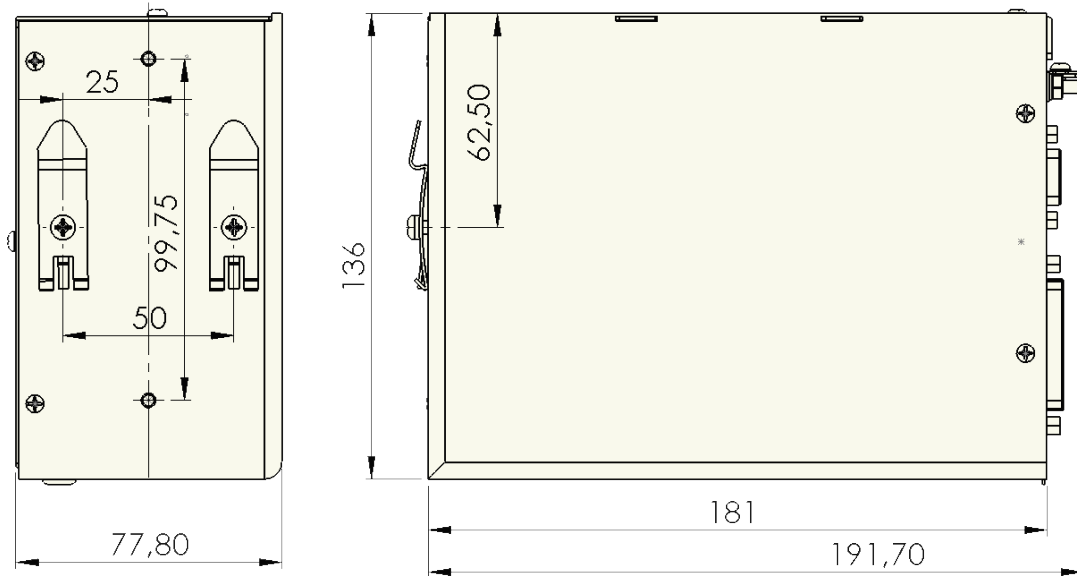
CBU-1.2 CTM V6 BASIC	Code: O830Z410014
CBU-1.2 CTM V6 PB	Code: O830Z410013
CBU-1.2 CTM V6 PN	Code: O830Z410017
CBU-1.2 CTM V6 FOCAS	Code: O830Z410019

CBU-1.2 CTM V6 XX is the central part of the ARTIS Compact Unit System. Other optional parts are:

TPU-6.1	Control panel with 6.4" touch screen color display
TPU-10.1	Control panel with 10.4" touch screen color display
EL-TPU-6	Housing for TPU-6.1
EL-TPU-10	Housing for TPU-10.1
Cable VGA	Connecting cable CBU/TPU

# Computer Unit with Integrated CTM Technology

## CBU-1.2 CTM V6 XX



CBU-1.2 CTM V6 XX XX = Variant code	
Variants	
CBU-1.2 CTM V6 BASIC	Code: O830Z410014
CBU-1.2 CTM V6 PB	Code: O830Z410013
CBU-1.2 CTM V6 PN	Code: O830Z410017
CBU-1.2 CTM V6 FOCAS	Code: O830Z410019
Dimensions	see drawing
Weight	1.5 kg
Material	Zinc plated sheet steel/aluminum
Temperature	
Storage	-20 °C...+60 °C
Operation	0 °C...+55 °C
Voltage supply	24 V ± 15 % (18 – 32 V DC)
Current consumption	max. 2 A
Vibration	Permissible up to 1 g at 17 – 500 Hz
Rel. humidity	5 – 85 % without condensation development
Degree of protection	IP20
Mounting	Mounting rail acc. to DIN EN 60715

Optional accessories	see page 1
CPU	Intel Atom N270 1.6 GHz with 82945GME chip set
RAM memory	1 GB SDRAM DIMM module
Hard disk	Compact Flash Disk 8 GB
PCI slot	1 x PCI (up to 160 mm long)
Operating system	Windows 7
Interfaces	Onboard Grafik (Videobus extern), 1 Ethernet 10/100, 2 x USB 1.1
Tool monitoring system	see Variants
Scope of delivery	Computer unit CTM monitoring card (choose the desired (fieldbus-) connection from Variants)
Conformity	CE



www.marposs.com

For a full list of address locations, please consult the Marposs official website

ODN6419EN05 – Edition 11/2017 – Specifications are subject to modifications  
© Copyright 2017 MARPOSS Monitoring Solutions GmbH (Germany) – All rights reserved.

ARTIS and Marposs product names/signs mentioned or shown herein are registered trademarks or trademarks of Marposs in the United States and other countries. The rights, if any, of third parties on trademarks or registered trademarks mentioned in the present publication are acknowledged to the respective owners.

Marposs has an integrated system to manage the Company quality, the environment and safety, attested by ISO 9001, ISO 14001 and OHSAS 18001 certifications. Marposs has further been qualified EAQF 94 and has obtained the Q1 Award.



Download the latest version of this document