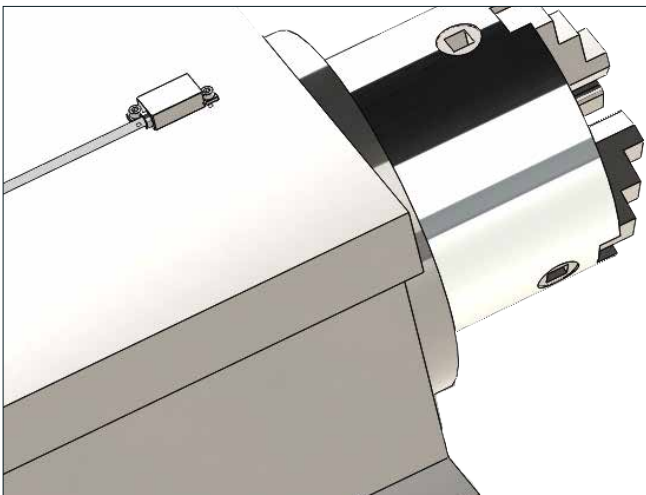




MEMS 3-AXES ACCELERATION SENSOR

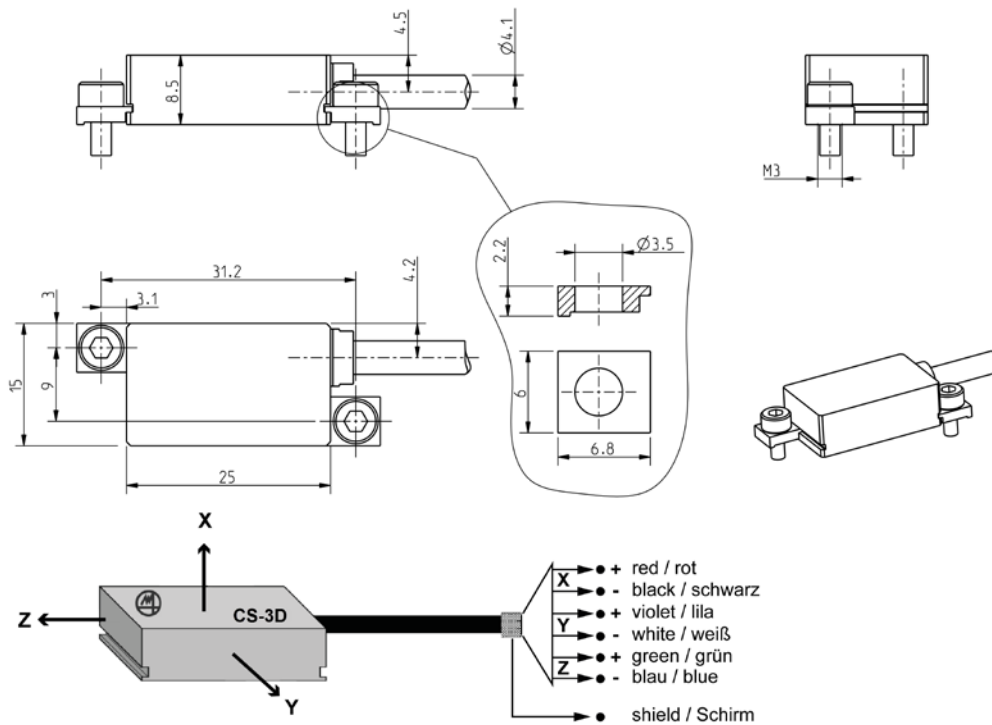


Special Features

- Triaxial acceleration sensor in MEMS technology
- Acceleration sensor for detecting vibrations
- 3 axes acceleration measurement (up to 18g per axis)
- Useable with all ARTIS monitoring systems
- Easy mounting thanks to its compact dimensions
- ICP® interface

MEMS 3-Axes Acceleration Sensor

CS-3D MEMS



	O3PZ0110009												
Dimensions	25 x 15 x 8.5												
Weight	0.234 kg (10 m cable included)												
Material	AISI 303												
Operating temperature	0 °C –70 °C												
Degree of protection	IP66/IPx7, resistant to cooling lubricants												
Contacting	Fixing system with dedicated clips Adhesive joint												
Power supply	2–10mA, 18–24Vdc												
Connections	<table border="1"> <tr> <td>X</td> <td>+ red</td> </tr> <tr> <td></td> <td>- black</td> </tr> <tr> <td>Y</td> <td>+ violet</td> </tr> <tr> <td></td> <td>- white</td> </tr> <tr> <td>Z</td> <td>+ green</td> </tr> <tr> <td></td> <td>- blue</td> </tr> </table>	X	+ red		- black	Y	+ violet		- white	Z	+ green		- blue
X	+ red												
	- black												
Y	+ violet												
	- white												
Z	+ green												
	- blue												
Sensitivity per axis	100 mV/g, (10.2 mV/m/s ²)												

Tolerance	±10 %
Measuring range per axis	±18 g peak
Frequency range	(±3 dB) 0.5 Hz – 2.5kHz
Resonance frequency	5.5 kHz
Output impedance	typ. 80 Ohm max. 140 Ohm
Conformity	CE

	PU cable
Type	PU cable (3 twist pair) + shield
Cable length	10 m
Diameter	4.1 mm
Conductor size	0.14 mm ²



www.marposs.com

For a full list of address locations, please consult the Marposs official website

ODN6396EN05 – Edition 11/2017 – Specifications are subject to modifications
© Copyright 2017 MARPOSS Monitoring Solutions GmbH (Germany) – All rights reserved.

ARTIS and Marposs product names/signs mentioned or shown herein are registered trademarks or trademarks of Marposs in the United States and other countries. The rights, if any, of third parties on trademarks or registered trademarks mentioned in the present publication are acknowledged to the respective owners.

Marposs has an integrated system to manage the Company quality, the environment and safety, attested by ISO 9001, ISO 14001 and OHSAS 18001 certifications. Marposs has further been qualified EAQF 94 and has obtained the Q1 Award.



Download the latest version of this document