



EL-TPU-6 ENCLOSURE TPU-6.1 AND IPC-6.1

Special Features

- Enclosure for the following ARTIS components:
EL-TPU-6 for operator panel TPU-6.1
for industrial PC IPC-6.1
- Degree of protection IP65 (with housing base or support arm)
- Mounting accessories and fastening material included
- Optional accessories available (see component list)

Mounting options



left hand: mounting using inclinable housing base
right hand: lateral mounting using slewable wall fastening

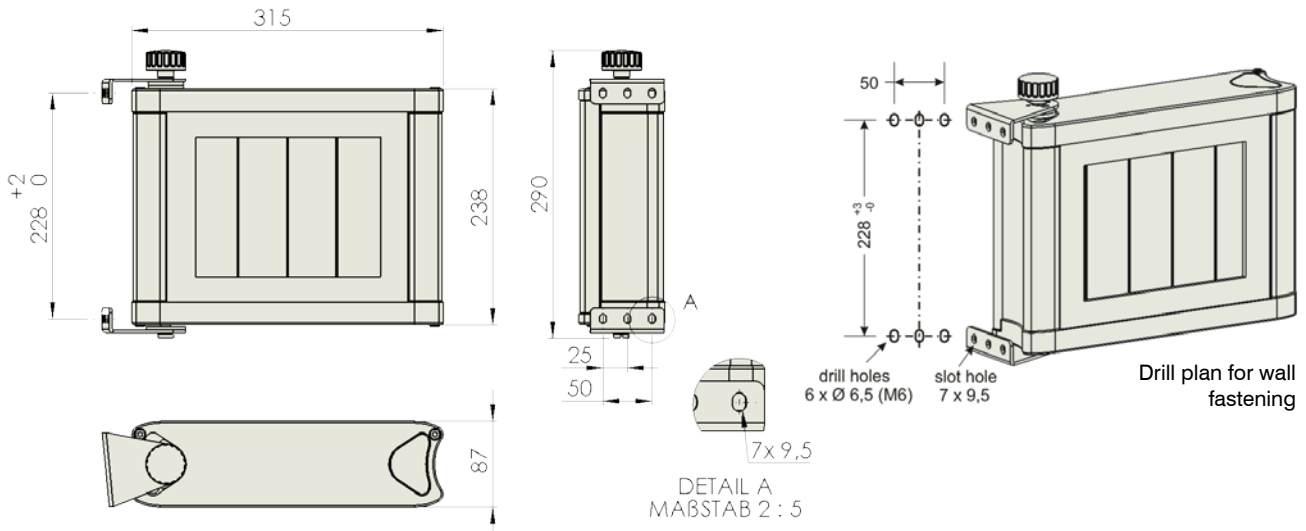
Mounting accessories



left hand: inclinable housing base with expansion bellows
right hand: slewable wall fastening

Enclosure

EL-TPU-6 FOR TPU-6.1 AND IPC-6.1



| EL-TPU-6 O613400009 | |
|-------------------------|--|
| Dimensions | see drawing |
| Cut-Out (a x b) | 187 mm x 141 mm |
| Weight | 3.2 kg |
| Material | Zinc plated sheet steel/aluminum |
| Degree of protection | IP65 (with housing base or support arm) |
| Intended purpose | Enclosure for TPU-6.1, IPC-6.1 |
| Surface | |
| Screw cover | Plastic |
| Top and bottom part | powder coated, RAL 7024 |
| Back panel, front frame | Aluminum, anodized |
| Screw cover | similar to RAL 7024 |

| | |
|-------------------------|---|
| Wall fastening | |
| Material | Metal angle, RAL, gray |
| Mounting | Locking disk and screw for adjusting the mounting angle |
| Inclinable housing base | |
| Material | Metal angle, RAL, gray, with bellows |
| Mounting | Mounting arm connection on bottom of rotatable housing, locking level adjustable in an angle of +100° to -60° (limited to -15° when using enclosed locking screw) |
| Conformity | CE |



www.marposs.com

For a full list of address locations, please consult the Marposs official website

ODN6AM0EN02 – Edition 11/2017 – Specifications are subject to modifications
© Copyright 2017 MARPOSS Monitoring Solutions GmbH (Germany) – All rights reserved.

ARTIS and Marposs product names/signs mentioned or shown herein are registered trademarks or trademarks of Marposs in the United States and other countries. The rights, if any, of third parties on trademarks or registered trademarks mentioned in the present publication are acknowledged to the respective owners.

Marposs has an integrated system to manage the Company quality, the environment and safety, attested by ISO 9001, ISO 14001 and OHSAS 18001 certifications. Marposs has further been qualified EAQF 94 and has obtained the Q1 Award.



Download the latest version of this document