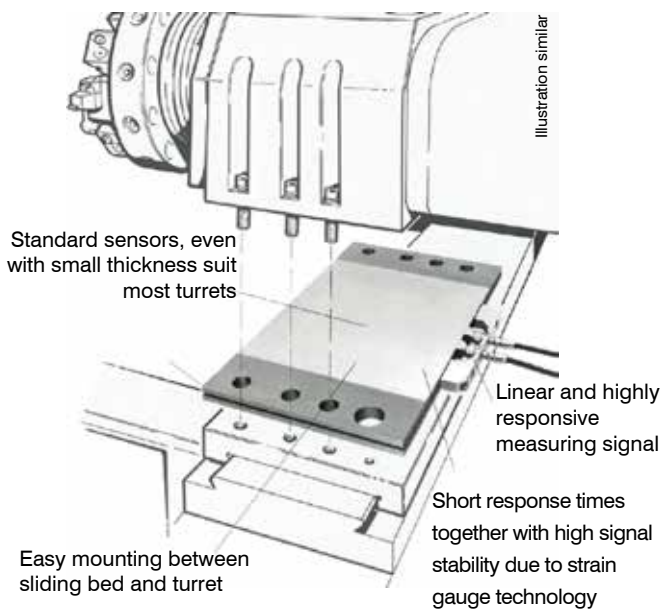


Illustration similar

STRAIN GAUGE MEASURING PLATE

The plate sensor is mounted in the main force flow thus directly recording the feed forces

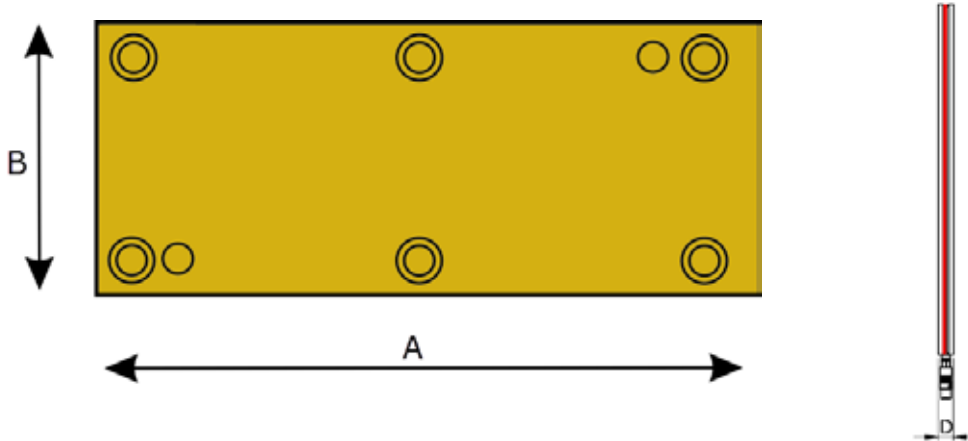


Special Features

- High sensitivity, fast response time, high signal stability
- Design as Wheatstone bridge circuit, thus thermally stable
- Simple integration
- Degree of protection
- Measures feed forces of one or two axes
- Linear response

Strain gauge measuring plate

FFP



O3PZ0912PPP

(PPP = Variant code, variants on request)

Summary	The FFP strain gauge measuring plate is available in two versions: one axis, two axes. Based on these basic versions the dimensions of the FFP measuring plate are adapted to the design of the machine. Please refer to the general requirements listed below. Any further information available on request.
---------	---

General conditions valid for both variants: - one axis force measuring - two axes force measuring	Thickness D (mm)	Area A x B mm ²
	12/15	< 32 000
	12/15	< 50 000
	15	< 90 000
	15	< 130 000

Type/Size 1 axis	Type/Size 2 axes
FFP – 4301 S1	FFP – 4301 S2
FFP – 4302 S1	FFP – 4302 S2
FFP – 4303 S1	FFP – 4303 S2
FFP – 4304 S1	FFP – 4304 S2
FFP – 4305 S1	FFP – 4305 S2

Size	Customized to requirements – minimum size 115 x 150 x 15 mm, max. size on request
Range of nominal force (FN)	2 kN to 100 kN (higher ranges on request)
Measuring device	Strain gauges, Wheatstone bridge design with four active elements
Degree of protection	IP65
Linear expansion ϵ	~ 0,000047 at nominal force
Sensitivity	~ 0,2 mV/V

Linearity deviation	< ± 1 %
Bridge power supply	10 VDC
Bridge resistance	350 Ω
Maximum load limit	800 % of nominal force
Conformity	CE

Sensor connection	Color	Description
	black	-5 V
	white	Input –
	red	Input +



www.marposs.com

For a full list of address locations, please consult the Marposs official website

ODN6397EN05 – Edition 01/2018 – Specifications are subject to modifications
© Copyright 2018 MARPOSS Monitoring Solutions GmbH (Germany) – All rights reserved.

ARTIS and Marposs product names/signs mentioned or shown herein are registered trademarks or trademarks of Marposs in the United States and other countries. The rights, if any, of third parties on trademarks or registered trademarks mentioned in the present publication are acknowledged to the respective owners.

Marposs has an integrated system to manage the Company quality, the environment and safety, attested by ISO 9001, ISO 14001 and OHSAS 18001 certifications. Marposs has further been qualified EAQF 94 and has obtained the Q1 Award.



Download the latest version of this document