



Abbildung ähnlich

## STRAIN GAUGE MEASURING RING

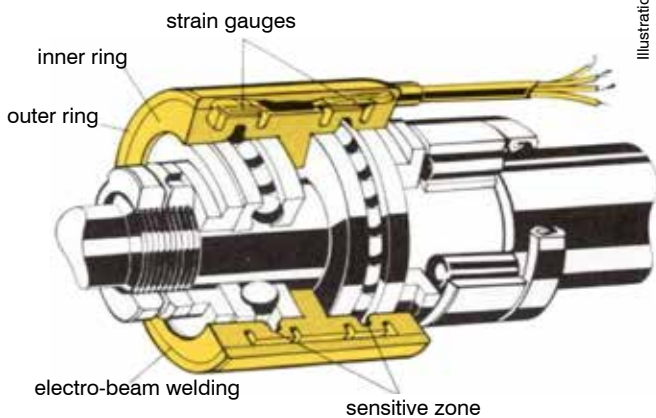


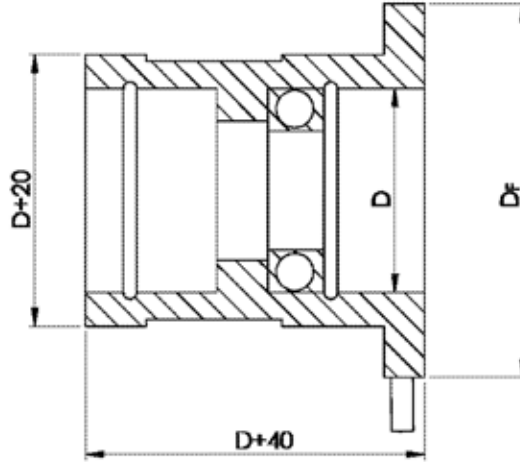
Illustration similar

### Special Features

- High sensitivity, fast response time, high signal stability
- Design as Wheatstone bridge circuit, thus thermally stable
- Suitable for most types of bearings without mechanical changes
- Measures axial feed force
- Linear response
- Calibrated design

# Strain gauge measuring ring

FFR



**O3PZ0712RRR**  
(RRR = Variant code, variants on request)

Summary	The FFR strain gauge measuring ring is available in two versions: with and without flange. Based on these basic versions the dimensions of the FFR measuring ring are adapted to the design of the machine. Please refer to the general requirements listed below. Any further information available on request.
---------	--

Measuring ring general conditions	Type/Size 1 axis	
	Without flange	D= bearingØ (mm)
	FFR-FS 1001	40 – 64,99
	FFR-FS 1002	65 – 84,99
	FFR-FS 1003	85 – 109,99
FFR-FS 1004	110 – 150	

Type/Size 2 axes	
with flange	D= bearing Ø / D <sub>F</sub> (mm)
FFR-FS 1201	40 – 64,99 / 110
FFR-FS 1202	65 – 84,99 / 140
FFR-FS 1203	85 – 109,99 / 170
FFR-FS 1204	110 – 150 / 200

Required space	D +20 mm
Range of nominal force (FN)	1 kN to 100 kN (higher ranges on request)
Measuring device	Strain gauges, Wheatstone bridge design with four active elements
Degree of protection	IP65
Linear expansion ε	~ 0,000047 at nominal force
Sensitivity	~ 0,3 mV/V to 2 mV/V
Linear deviation	< ±1 %

Bridge power supply	10 V Ref.
Bridge resistance	360 Ω
Overload limit	800% of nominal force (additional overload protection on request)
Conformity	CE

Sensor connection	Color	Description
	black	-5 V
	white	Input -
	red	Input +
blue	+5 V	

For a full list of address locations, please consult the Marposs official website

ODN6397EN06 – Edition 01/2018 – Specifications are subject to modifications  
© Copyright 2018 MARPOSS Monitoring Solutions GmbH (Germany) – All rights reserved.

ARTIS and Marposs product names/signs mentioned or shown herein are registered trademarks or trademarks of Marposs in the United States and other countries. The rights, if any, of third parties on trademarks or registered trademarks mentioned in the present publication are acknowledged to the respective owners.

Marposs has an integrated system to manage the Company quality, the environment and safety, attested by ISO 9001, ISO 14001 and OHSAS 18001 certifications. Marposs has further been qualified EAQF 94 and has obtained the Q1 Award.



www.marposs.com



Download the latest version of this document