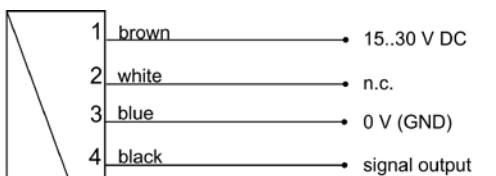




## FLOW SENSOR

### Electrical connection diagram



connection example



PNP connection/  
PNP Anschluss

n.c. = not connected

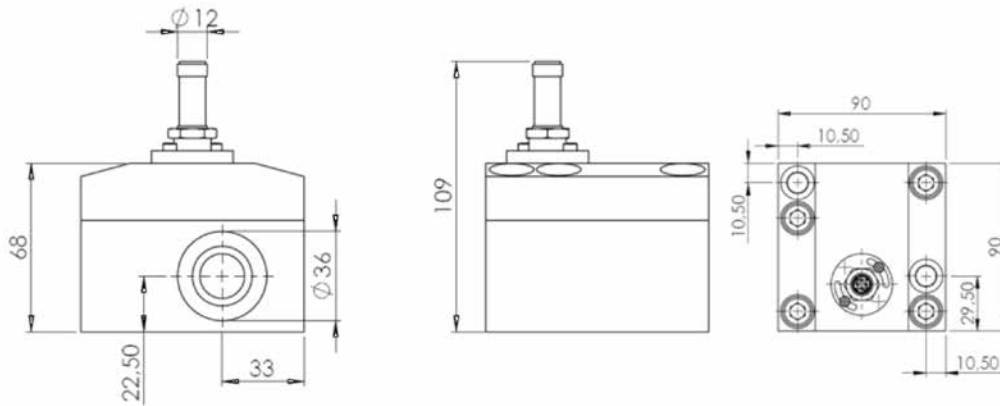
### Special Features

- To be used for break-monitoring of internally cooled tools
- Break detection of internally cooled tools
- Suitable for different flowrate measuring ranges
- Degree of protection IP65
- Compact design
- Simple installation

The flow sensor FLS-50 suits rough industrial conditions and is employed in combination with all ARTIS tool and process monitoring systems.

# Flow sensor

## FLS-50



FLS-50 O3PZ1211003	
Dimensions	90 mm x 90 mm x 109 mm
Material	Anodized aluminum
Weight	1.6 kg
Threaded connection	G 3/4"
Degree of protection	IP65
Operating temperature	-25 °C..+80 °C
Electrical connection	For round connectors M 12x1, 4 poles 10 m connecting cable (including connector)
Supply voltage	15 – 30 V
Voltage output	0 – 10 V
Charging rate	< 20 mA (without load)

Maximum pressure	200 bar
Measuring range	0.5 – 50 l/min
Frequency	2.0 cm <sup>3</sup> = 1 pulse, max. 417 Hz at 50 l/min
Accuracy	3 % of measured value (measured at a flow of 20 mm <sup>2</sup> /s)
Repeatability	± 0.3 %
Usability	Viscous fluid, self-lubricating media (technical soaps, pastes and non abrasive emulsions)
Filter range	< 30 µm
Conformity	CE



### Important Notice!

**Dirt particles must not get into the flow chamber, as this might cause the blockage of the gearwheels.  
It may therefore be necessary to install filters upstream of the sensor (mesh size < 30 µm).**



[www.marposs.com](http://www.marposs.com)

For a full list of address locations, please consult the Marposs official website

ODN6406EN02 – Edition 12/2017 – Specifications are subject to modifications  
© Copyright 2017 MARPOSS Monitoring Solutions GmbH (Germany) – All rights reserved.

ARTIS and Marposs product names/signs mentioned or shown herein are registered trademarks or trademarks of Marposs in the United States and other countries. The rights, if any, of third parties on trademarks or registered trademarks mentioned in the present publication are acknowledged to the respective owners.

Marposs has an integrated system to manage the Company quality, the environment and safety, attested by ISO 9001, ISO 14001 and OHSAS 18001 certifications. Marposs has further been qualified EAQF 94 and has obtained the Q1 Award.



Download the latest version  
of this document